

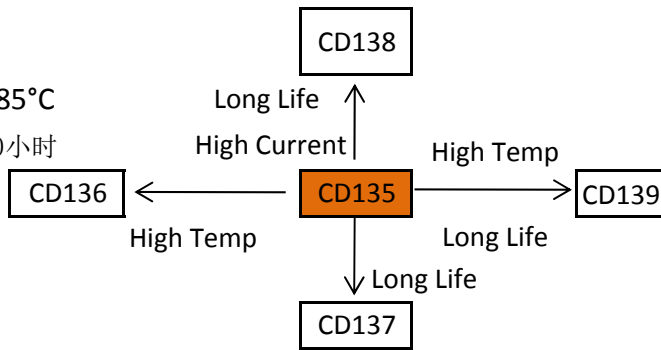
ALUMINUM ELECTROLYTIC CAPACITOR



Screw Type, CD135 Series

特性Features

- Load life of 2000 hours at 85°C
在85°C环境中，负荷寿命2000小时
- Standard at 85°C
85°C标准品
- Inverter & Power Supplies
适用于逆变器和电源。



主要技术性能Specification

项目 Items	特征 Performance Characteristics	
使用温度范围 Operating Temperature Range(°C)	-40 ~ +85°C	-25 ~ +85°C
额定电压范围 Rated Voltage Range(V)	10~ 250 VDC	350~ 450 VDC
标称容量范围 Capacitance Range(uF)	270~ 820000 uF	
标称容量偏差范围 Capacitance Tolerance(20°C,120Hz)	± 20%	
漏电流 Leakage Current (uA)	After 5 minutes at 20°C application of rated voltage, leakage current is not more than 0.02CV or 5mA, whichever is smaller. C: Normal Capacitance(uF) V: Rated Voltage(V) 在20°C下加额定电压5分钟后，漏电流不大于0.02CV或者1.5mA,取最小值。	
损耗角正切值 Dissipation Factor(20°C, 120Hz) (tanδ)	See table of Ratings 见表格	
耐久性 Load Life	+85°C额定电压（叠加规定纹波电流）2000小时试验后常温放置16h 测定 After applying rated voltage with specified ripple current for 2000 hours at 85°C and then resumed 16 hours: 电容量变化：初始值的-20~+20%以内 Capacitance change: within ±20% of the initial value 漏电流：不大于初始规定值 Dissipation Factor: Not more than initial specified value 损耗角正切：不超过规定值的2.0倍Dissipation Factor: Not more than 200% of the specified value	
高温储存 Shelf Life	+85°C, 1000小时贮存后，加额定电压30分钟，恢复16小时后 After storage for 1000 hours at +85°C, rated voltage to be applied for 30 minutes and then resumed for 16 hours 电容量变化：初始值的-20~+20%以内Capacitance change: within ±20% of the initial value 漏电流：不大于初始规定值 Dissipation Factor: Not more than initial specified value 损耗角正切：不超过规定值的2.0倍Dissipation Factor: Not more than 200% of the specified value	

纹波电流修正系数Multiplier for ripple current

频率系数Frequency coefficient					环境温度 Temperature °C				
频率 Freq(Hz)	50Hz	120Hz	1KHz	> 10KHz	≤+40	+55	+70	+85	
10~50	0.95	1.00	1.10	1.15	修正系数 Coefficient	2.7	2.5	2.1	1.7
63~100	0.95	1.00	1.16	1.36					
160~450	0.80	1.00	1.25	1.55					

外形图 Dimensions

ΦD	36	51	64	77	90
F	12.7	22	28.6	32	32

额定值标准 Rating for CD135 Series

额定值标准 Rating for CD135 Series

CD135	U _R	10V(1A)			16V(1C)			25(1E)			35V(1V)		
Cap(μF)	U _S	13V			20V			32V			44V		
	Code	DxL	(A)	Tanδ	DxL	(A)	Tanδ	DxL	(A)	Tanδ	DxL	(A)	Tanδ
10000	103	-	-	-	-	-	-	-	-	-	36x53	3.4	0.40
12000	123	-	-	-	-	-	-	-	-	-	36x53	3.7	0.40
15000	153	-	-	-	-	-	-	36x53	3.7	0.50	36x65	4.2	0.40
18000	183	-	-	-	-	-	-	36x53	4.1	0.50	36x83	4.9	0.40
22000	223	-	-	-	36x53	4.1	0.60	36x53	4.5	0.50	36x83	5.7	0.40
27000	273	-	-	-	36x53	4.5	0.60	36x65	5.0	0.50	36x100	6.3	0.40
33000	333	36x53	4.3	0.08	36x53	5.0	0.60	36x83	5.9	0.50	36x100	7.2	0.40
39000	393	36x53	4.7	0.08	36x65	5.9	0.60	36x83	6.7	0.50	36x121	7.3	0.50
47000	473	36x65	5.2	0.08	36x83	6.4	0.60	36x100	7.7	0.50	51x96	8.7	0.50
56000	563	36x83	6.1	0.08	36x83	7.3	0.60	36x100	7.9	0.60	51x96	8.6	0.60
68000	683	36x83	6.7	0.08	36x100	8.4	0.80	36x121	9.1	0.60	51x115	9.8	0.60
82000	823	36x100	7.7	0.08	36x100	8.3	0.80	36x121	10.4	0.60	64x96	11.6	0.60
100000	104	36x100	8.8	0.08	36x121	9.5	0.80	51x96	10.3	0.80	64x115	13.3	0.60
120000	124	36x121	10.0	0.08	36x121	10.9	1.00	51x115	11.7	0.80	64x121	14.8	0.80
150000	154	36x121	10.8	1.00	51x96	11.3	1.00	51x130	14.1	0.80	64x130	14.9	0.80
180000	184	51x96	12.0	1.00	51x115	12.8	1.00	64x96	15.7	0.80	77x115	17.0	0.80
220000	224	51x121	11.2	1.50	51x130	15.3	1.00	64x115	16.1	1.00	77x130	20.0	0.80
270000	274	51x121	12.8	1.50	64x96	17.6	1.50	64x130	18.6	1.00	77x155	20.3	1.00
330000	334	64x96	15.3	1.50	64x115	16.8	1.50	64x155	21.9	1.00	90x131	23.5	1.00
390000	394	64x115	17.3	1.50	64x130	18.3	1.50	77x115	22.0	1.20	90x157	26.4	1.00
470000	474	64x130	16.7	2.00	77x115	21.3	1.50	77x155	25.6	1.20	90x157	29.6	1.00
560000	564	77x115	19.0	2.00	77x130	23.6	1.50	90x131	27.9	1.20	-	-	-
680000	684	77x130	21.7	2.00	77x155	27.6	1.50	90x157	32.5	1.20	-	-	-
820000	824	77x155	24.7	2.00	90x157	27.1	2.00	-	-	-	-	-	-

CD135	U _R	50V(1H)			63V(2A)			80(1K)			100V(2A)		
Cap(μF)	U _S	63V			79V			100V			125V		
	Code	DxL	(A)	Tanδ	DxL	(A)	Tanδ	DxL	(A)	Tanδ	DxL	(A)	Tanδ
1800	182	-	-	-	-	-	-	-	-	-	36x53	1.9	0.25
2200	222	-	-	-	-	-	-	-	-	-	36x53	2.1	0.25
2700	272	-	-	-	-	-	-	-	-	-	36x53	2.3	0.25
3300	332	-	-	-	-	-	-	36x53	2.5	0.25	36x65	2.6	0.25
3900	392	-	-	-	36x53	2.7	0.25	36x53	2.8	0.25	36x83	3.0	0.25
4700	472	-	-	-	36x53	3.0	0.25	36x65	3.0	0.25	36x83	3.5	0.25
5600	562	36x53	3.0	0.30	36x53	3.3	0.25	36x83	3.6	0.25	36x100	3.9	0.25
6800	682	36x53	3.3	0.30	36x65	3.6	0.25	36x83	3.9	0.25	36x100	4.5	0.25
8200	822	36x53	3.6	0.30	36x83	4.3	0.25	36x83	4.5	0.25	36x121	5.1	0.25
10000	103	36x65	4.0	0.30	36x83	4.9	0.25	36x100	5.2	0.25	36x121	5.9	0.25
12000	123	36x83	4.7	0.30	36x100	5.6	0.25	36x100	5.9	0.25	51x75	6.4	0.25
15000	153	36x83	5.6	0.30	36x100	6.0	0.30	36x121	6.8	0.25	51x96	7.0	0.25
18000	183	36x100	6.2	0.30	36x121	6.7	0.30	36x121	7.8	0.25	51x115	8.3	0.25
22000	223	36x121	6.3	0.40	36x121	7.8	0.30	51x96	8.0	0.30	51x130	10.0	0.25
27000	273	36x121	7.1	0.40	51x96	7.4	0.40	51x96	9.2	0.30	64x115	11.5	0.25
33000	333	51x96	8.2	0.40	51x96	8.4	0.40	51x115	10.5	0.30	64x130	11.9	0.25
39000	393	51x96	8.1	0.50	51x115	9.5	0.40	51x130	12.0	0.30	77x115	13.4	0.25
47000	473	51x115	9.3	0.50	51x130	11.3	0.40	64x115	13.6	0.30	77x130	14.2	0.35
56000	563	64x96	10.5	0.50	64x115	12.8	0.40	64x130	13.4	0.40	77x155	16.0	0.35
68000	683	64x96	12.0	0.50	64x121	12.7	0.50	77x115	15.4	0.40	90x131	18.8	0.35
82000	823	64x115	13.7	0.50	64x130	14.5	0.50	77x130	17.5	0.40	90x157	20.5	0.35
100000	104	77x115	14.7	0.60	77x115	16.7	0.50	77x155	20.5	0.40	90x171	24.0	-
120000	124	77x115	16.7	0.60	77x130	18.9	0.50	90x131	22.4	0.40	-	-	-
150000	154	77x130	19.3	0.60	77x155	22.4	0.50	90x157	26.5	0.40	-	-	-
180000	184	77x155	21.9	0.60	90x131	22.4	0.60	-	-	-	-	-	-
220000	224	90x131	21.4	0.60	90x157	26.2	0.60	-	-	-	-	-	-
270000	274	90x157	24.6	0.60	-	-	-	-	-	-	-	-	-

额定值标准 Rating for CD135 Series

CD135	U _R	160V(2C)			200V(2D)			250(2E)			350V(2V)		
Cap(μF)	U _s	200V			250V			300V			400V		
	Code	DxL	(A)	Tanδ	DxL	(A)	Tanδ	DxL	(A)	Tanδ	DxL	(A)	Tanδ
390	391	-	-	-	-	-	-	-	-	-	36x53	1.7	0.20
470	471	-	-	-	-	-	-	-	-	-	36x83	2.2	0.20
560	561	-	-	-	-	-	-	-	-	-	36x83	2.4	0.20
680	681	-	-	-	-	-	-	-	-	-	36x83	2.6	0.20
820	821	-	-	-	-	-	-	-	-	-	36x100	3.1	0.20
1000	102	-	-	-	-	-	-	36x100	3.2	0.25	36x100	3.4	0.20
1200	122	-	-	-	-	-	-	36x100	3.5	0.25	51x75	3.8	0.20
1500	152	-	-	-	36x100	3.2	0.25	51x75	4.0	0.25	51x75	4.3	0.20
1800	182	-	-	-	36x100	3.5	0.25	51x75	4.4	0.25	51x96	5.1	0.20
2200	222	-	-	-	51x75	4.0	0.25	51x96	5.4	0.25	51x96	5.7	0.20
2700	272	-	-	-	51x75	4.4	0.25	51x115	6.3	0.25	51x130	7.1	0.20
3300	332	36x121	5.2	0.25	51x96	5.1	0.25	64x96	7.1	0.25	51x130	7.9	0.20
3900	392	51x75	5.3	0.25	51x115	6.3	0.25	64x96	7.8	0.25	64x115	9.0	0.20
4700	472	51x75	5.9	0.25	64x96	7.1	0.25	64x115	9.1	0.25	64x130	10.3	0.20
5600	562	51x96	7.0	0.25	64x96	7.6	0.25	64x115	10.0	0.25	77x115	11.4	0.20
6800	682	51x96	7.8	0.25	64x115	9.1	0.25	64x130	11.7	0.25	77x130	13.1	0.20
8200	822	51x115	9.1	0.25	64x115	10.0	0.25	77x115	12.9	0.25	77x155	15.4	0.20
10000	103	64x96	10.4	0.25	64x130	11.7	0.25	77x130	15.1	0.25	90x157	18.1	0.20
12000	123	64x96	11.3	0.25	77x115	12.9	0.25	77x155	17.7	0.25	90x157	20.0	0.20
15000	153	64x130	14.3	0.25	77x130	15.1	0.25	90x157	20.9	0.25	90x196	24.5	0.20
18000	183	64x130	15.6	0.25	77x155	17.7	0.25	-	-	-	90x236	28.8	0.20
22000	223	77x130	18.3	0.25	90x157	20.9	0.25	-	-	-	-	-	-
27000	273	77x130	20.2	0.25	-	-	-	-	-	-	-	-	-
33000	333	90x131	23.8	0.25	-	-	-	-	-	-	-	-	-
39000	393	90x157	27.9	0.25	-	-	-	-	-	-	-	-	-

CD135	U _R	400V(2G)			450V(2W)			-			-		
Cap(μF)	U _s	450V			500V			-			-		
	Code	DxL	(A)	Tanδ	DxL	(A)	Tanδ	-	-	-	-	-	-
270	271				36x53	1.4	0.20	-	-	-	-	-	-
330	331	36x53	1.5	0.20	36x83	1.8	0.20	-	-	-	-	-	-
390	391	36x83	2.0	0.20	36x83	2.0	0.20	-	-	-	-	-	-
470	471	36x83	2.2	0.20	36x83	2.2	0.20	-	-	-	-	-	-
560	561	36x83	2.4	0.20	36x100	2.6	0.20	-	-	-	-	-	-
680	681	36x100	2.8	0.20	36x100	2.8	0.20	-	-	-	-	-	-
820	821	36x100	3.1	0.20	51x75	3.2	0.20	-	-	-	-	-	-
1000	102	51x75	3.5	0.20	51x75	3.5	0.20	-	-	-	-	-	-
1200	122	51x75	3.8	0.20	51x96	4.2	0.20	-	-	-	-	-	-
1500	152	51x96	4.7	0.20	51x115	5.1	0.20	-	-	-	-	-	-
1800	182	51x96	5.2	0.20	51x130	5.9	0.20	-	-	-	-	-	-
2200	222	51x120	6.4	0.20	64x96	6.3	0.20	-	-	-	-	-	-
2700	272	64x96	7.0	0.20	64x115	7.5	0.20	-	-	-	-	-	-
3300	332	64x115	8.2	0.20	64x130	8.7	0.20	-	-	-	-	-	-
3900	392	64x130	9.4	0.20	77x115	9.5	0.20	-	-	-	-	-	-
4700	472	77x115	10.4	0.20	77x130	10.9	0.20	-	-	-	-	-	-
5600	562	77x130	11.9	0.20	77x155	12.8	0.20	-	-	-	-	-	-
6800	682	77x155	14.1	0.20	90x157	15.0	0.20	-	-	-	-	-	-
8200	822	90x157	16.4	0.20	90x157	16.5	0.20	-	-	-	-	-	-
10000	103	90x157	18.3	0.20	90x196	20.0	0.20	-	-	-	-	-	-
12000	123	90x196	21.8	0.20	90x236	23.6	0.20	-	-	-	-	-	-
15000	153	90x236	26.3	0.20	-	-	-	-	-	-	-	-	-

Note: All design and specifications are for reference only and is subject to change without prior notice. If any doubt about safety for your application, please contact us immediately for technical assistance before purchase.