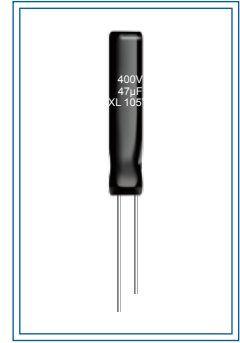


XL (CD26E)

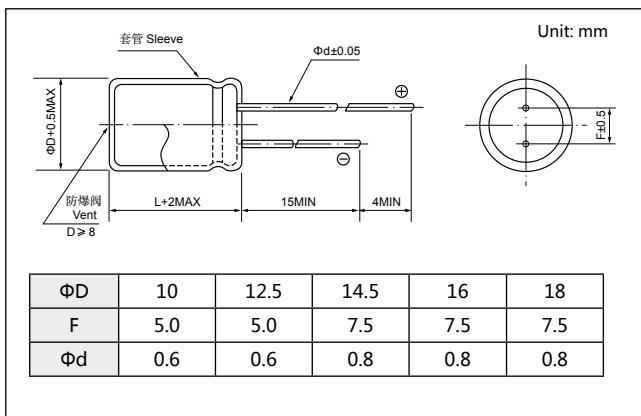
- 105°C 2000 小时。2000 hrs at 105°C .
- 细长型。Slim Type.
- 高纹波电流。High ripple current.



主要技术性能 Specifications

项目 Item	特性 Performance Characteristics												
工作温度范围 Operating Temperature Range	-25~+105°C												
额定电压范围 Rated Voltage Range	200~450V												
标称容量范围 Nominal Capacitance Range	18~560µF												
标称容量允许偏差 Capacitance Tolerance	±20%(+20°C,120Hz)												
漏电流 Leakage Current (+20°C,max)	after 1 minutes at 20°C application of rated voltage,leakage current is not more than : $I \leq 0.02CV$ (1分钟,20°C)												
损耗角正切值 (tgδ) Dissipation Factor (+20°C,120Hz)	<table border="1"> <tr> <td>$U_R(V)$</td> <td>200</td> <td>250</td> <td>350</td> <td>400</td> <td>450</td> </tr> <tr> <td>tgδ</td> <td>0.12</td> <td>0.15</td> <td>0.15</td> <td>0.20</td> <td>0.20</td> </tr> </table>	$U_R(V)$	200	250	350	400	450	tgδ	0.12	0.15	0.15	0.20	0.20
$U_R(V)$	200	250	350	400	450								
tgδ	0.12	0.15	0.15	0.20	0.20								
温度特性 Temperature Characteristics (Impedance ratio at 120Hz)	<table border="1"> <tr> <td>$U_R(V)$</td> <td>200~250</td> <td>400~450</td> </tr> <tr> <td>Z-25°C /+20°C</td> <td>3</td> <td>8</td> </tr> </table>	$U_R(V)$	200~250	400~450	Z-25°C /+20°C	3	8						
$U_R(V)$	200~250	400~450											
Z-25°C /+20°C	3	8											
耐久性 Load Life	+105°C施加带额定纹波电流的额定电压 2000 小时, 恢复 24 小时后: After applying rated voltage with specified ripple current for 2000 hours at +105°C and then resumed 24 hours: 容量变化率 Capacitance change : ±20% 初始测量值以内 ±20% of the initial measured value 漏 电 流 Leakage current : ≤初始规定值 ≤ the initial specified value 损耗角正切值 Dissipation factor : ≤ 2 倍初始规定值 ≤ 200% of the initial specified value												
高温贮存 Shelf Life	+105°C, 1000 小时贮存后, 加额定工作电压处理 30 分钟, 恢复 24 小时后: After storage for 1000 hours at +105°C, U_R to be applied for 30 minutes and then resumed 24 hours : 容量变化率 Capacitance change : ±20% 初始测量值以内 ±20% of the initial measured value 漏 电 流 Leakage current : ≤初始规定值 ≤ the initial specified value 损耗角正切值 Dissipation factor : ≤ 2 倍初始规定值 ≤ 200% of the initial specified value												

外形图及尺寸 Diagram of Dimensions



纹波电流修正系数 Multiplier for Ripple Current

频率系数 Frequency coefficient

Frequency(Hz)	50(60)	120	500	1K	≥ 10K	
Coefficient	200-250V	0.8	1.0	1.20	1.30	1.40
	400-450V	0.8	1.0	1.25	1.40	1.50

温度系数 Temperature coefficient

Temperature (°C)	+70	+85	+105
Coefficient	1.80	1.40	1.00

额定值标准 Standard Size

U _R (Surge Voltage) Code(V)	Capacitance (μF)	Size ΦD×L (mm)	Rated ripple current 105°C, 120Hz (mA _{RMS})	Max ESR 20°C, 120Hz (Ω)	Typ ESR 20°C, 120Hz (Ω)
200 (250) 2D	82	10×30	400	1.942	1.165
	100	10×36	460	1.592	0.955
	120	10×40	530	1.327	0.796
	150	12.5×30	620	1.062	0.637
	180	12.5×36	700	0.885	0.531
	220	12.5×42	800	0.724	0.434
		14.5×31	800	0.724	0.434
	270	14.5×40	870	0.590	0.354
		16×35.5	870	0.590	0.354
	330	16×40	1010	0.483	0.290
		18×31.5	1010	0.483	0.290
	390	18×36	1130	0.408	0.245
470	18×40	1270	0.339	0.203	
560	18×45	1390	0.284	0.170	
250 (300) 2E	68	10×33	330	2.927	1.756
	82	10×40	420	2.427	1.456
	100	10×51	480	1.990	1.194
	120	12.5×36	560	1.659	0.995
	150	12.5×42	650	1.327	0.796
	180	14.5×40	730	1.106	0.663
400 (450) 2G	27	10×30	240	7.372	4.423
	33	10×36	280	6.032	3.619
	39	10×40	320	5.104	3.062
	47	12.5×30	370	4.235	2.541
		10×51	370	4.235	2.541
	56	12.5×36	420	3.554	2.132
	68	12.5×40	480	2.927	1.756
		14.5×31	480	2.927	1.756
	82	14.5×35.5	520	2.427	1.456
		12.5×51	520	2.427	1.456
	100	14.5×40	580	1.990	1.194
		16×35.5	580	1.990	1.194
		12.5×51	580	1.990	1.194
	120	16×40	670	1.659	0.995
		18×36	670	1.659	0.995
	150	18×40	770	1.327	0.796
	180	18×45	880	1.106	0.664

U _R (Surge Voltage) Code(V)	Capacitance (μF)	Size ΦD×L (mm)	Rated ripple current 105°C, 120Hz (mA _{RMS})	Max ESR 20°C, 120Hz (Ω)	Typ ESR 20°C, 120Hz (Ω)
420 (470) 2X	22	10×30	200	12.063	7.238
	27	10×36	230	9.829	5.897
	33	10×40	270	8.042	4.825
	39	12.5×30	310	6.805	4.083
	47	12.5×36	360	5.647	3.388
		10×51	360	5.647	3.388
	56	12.5×40	430	4.739	2.843
		14.5×31	430	4.739	2.843
	68	14.5×35.5	490	3.903	2.342
		16×31.5	490	3.903	2.342
		12.5×42	490	3.903	2.342
	82	14.5×40	550	3.236	1.942
		16×35.5	550	3.236	1.942
		12.5×51	550	3.236	1.942
	100	16×40	610	2.654	1.592
		18×31.5	610	2.654	1.592
	120	18×36	660	2.212	1.327
	150	18×45	710	1.769	1.061
450 (500) 2W	18	10×30	180	14.744	8.846
	22	10×36	210	12.063	7.238
	27	10×40	250	9.829	5.897
	33	12.5×30	280	8.042	4.825
	39	12.5×36	320	6.805	4.083
		10×51	320	6.805	4.083
	47	12.5×40	380	5.647	3.388
		14.5×31	380	5.647	3.388
		10×51	380	5.647	3.388
	53	10×51	410	5.007	3.004
	56	14.5×35.5	440	4.739	2.843
		16×31.5	440	4.739	2.843
	68	14.5×40	510	3.903	2.342
		16×35.5	510	3.903	2.342
		12.5×51	510	3.903	2.342
	82	16×40	570	3.236	1.942
		18×31.5	570	3.236	1.942
		12.5×51	570	3.236	1.942

可根据客户要求定制产品 Customer products are available on request.