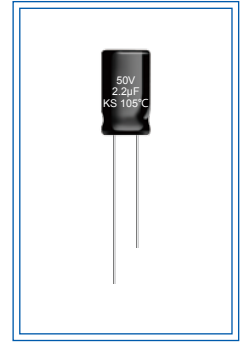


KS 宽温度品 (CD26C)

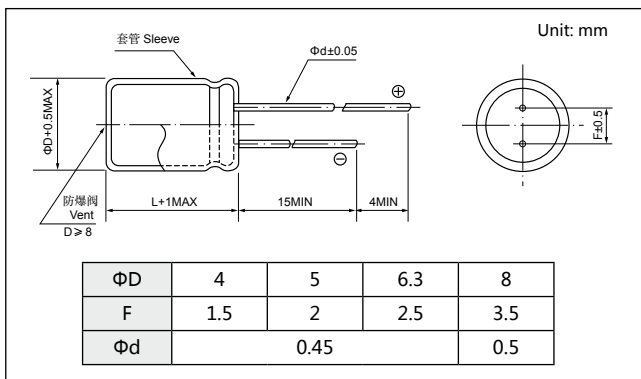
- 7mm 高度, 105°C 1000 小时。7mm height, 105°C 1000 hrs.
- 适用于汽车电子等线路中。Used in car electronic circuits, etc.
- 符合 RoHS。RoHS Compliant.



主要技术性能 Specifications

项目 Item	特性 Performance Characteristics																								
工作温度范围 Operating Temperature Range	-40~+105°C																								
额定电压范围 Rated Voltage Range	6.3~63V																								
标称容量范围 Nominal Capacitance Range	0.1~470μF																								
标称容量允许偏差 Capacitance Tolerance	±20%(+20°C, 120Hz)																								
漏电流 Leakage Current	$I \leq 0.01CV$ or $3 (\mu A)$ 2 分钟 (at 20°C ,after 2 mintues) 取较大者 (whichever is greater)																								
损耗角正切值 (tgδ) Dissipation Factor (+20°C, 120Hz)	<table border="1"> <tr> <td>U_R(V)</td> <td>6.3</td> <td>10</td> <td>16</td> <td>25</td> <td>35</td> <td>50</td> <td>63</td> </tr> <tr> <td>tgδ</td> <td>0.26</td> <td>0.22</td> <td>0.18</td> <td>0.15</td> <td>0.14</td> <td>0.12</td> <td>0.10</td> </tr> </table>	U _R (V)	6.3	10	16	25	35	50	63	tgδ	0.26	0.22	0.18	0.15	0.14	0.12	0.10								
U _R (V)	6.3	10	16	25	35	50	63																		
tgδ	0.26	0.22	0.18	0.15	0.14	0.12	0.10																		
温度特性 Temperature Characteristics (Impedance ratio at 120Hz)	<table border="1"> <tr> <td>U_R(V)</td> <td>6.3</td> <td>10</td> <td>16</td> <td>25</td> <td>35</td> <td>50</td> <td>63</td> </tr> <tr> <td>Z-25°C / +20°C</td> <td>4</td> <td>3</td> <td>2</td> <td>2</td> <td>2</td> <td>2</td> <td>2</td> </tr> <tr> <td>Z-40°C / +20°C</td> <td>8</td> <td>6</td> <td>4</td> <td>4</td> <td>3</td> <td>3</td> <td>3</td> </tr> </table>	U _R (V)	6.3	10	16	25	35	50	63	Z-25°C / +20°C	4	3	2	2	2	2	2	Z-40°C / +20°C	8	6	4	4	3	3	3
U _R (V)	6.3	10	16	25	35	50	63																		
Z-25°C / +20°C	4	3	2	2	2	2	2																		
Z-40°C / +20°C	8	6	4	4	3	3	3																		
耐久性 Load Life	+105°C加额定电压 1000 小时, 恢复 16 小时后: After application rated voltage for 1000 hours at +105°C and then resumed 16 hours : 电容量变化率 Capacitance change : ±25% 初始测量值以内 ±25% of the initial measured value 漏 电 流 Leakage current : ≤初始规定值 ≤ The initial specified value 损耗角正切值 Dissipation factor : ≤ 2 倍初始规定值 ≤ 200% of the initial specified value																								
高温贮存 Shelf Life	+105°C, 1000 小时贮存后, 恢复 16 小时后: After storage for 1000 hours at +105°C and then resumed 16 hours : 电容量变化率 Capacitance change : ±25% 初始测量值以内 ±25% of the initial measured value 漏 电 流 Leakage current : ≤ 2 倍初始规定值 ≤ 200% of the initial specified value 损耗角正切值 Dissipation factor : ≤ 2 倍初始规定值 ≤ 200% of the initial specified value																								

外形图及尺寸 Diagram of Dimensions



纹波电流修正系数 Multiplier for Ripple Current

频率系数 Frequency coefficient

Frequency(Hz)	60	120	1k	≥ 10k
Cap(μF)				
0.1~68	0.8	1.0	1.3	1.5
100-470	0.8	1.0	1.15	1.2

额定值标准 Standard Size

Cap.(μF)	V(Code) Code	6.3V (0J)		10V (1A)		16V (1C)		25V (1E)		35V (1V)		50V (1H)		63V (1J)	
0.1	0R1											4×7	0.8		
0.22	R22											4×7	2.0		
0.33	R33											4×7	3.0		
0.47	R47											4×7	4.0		
1	010					4×7	6					4×7	8.5	4×7	11
2.2	2R2											4×7	14	4×7	18
3.3	3R3											4×7	19	5×7	23
4.7	4R7									4×7	19	4×7	25	5×7	28
10	100					4×7	24	4×7	16	4×7	29	5×7	40	6.3×7	32
22	220	4×7	29	4×7	33	4×7	37	5×7	19	5×7	45	6.3×7	53	8×7	40
												8×7	56		
33	330	4×7	37	4×7	41	5×7	48	5×7	29	6.3×7	59				
47	470	4×7	44	4×7	51	5×7	57	6.3×7	45	8×7	75	8×7	70		
100	101	5×7	68	5×7	75	6.3×7	89	8×7	105						
220	221	6.3×7	101	8×7	120	8×7	95								
330	331	8×7	120	6.3×7	105										
470	471			8×7	110										

额定纹波电流 Rated ripple current(mA,+105°C,120Hz)

可根据客户需要定制产品 Customer products are available on request.