

牛角型Snap In Type, CD295 Series

特性Features

- Load life of 5000 hours at 85°C
在85°C环境中，负荷寿命5000小时
- High ripple current
能承受较高的纹波电流
- Load life General Industry Electronics
适用于长寿命的工业电子设备



主要技术性能Specification

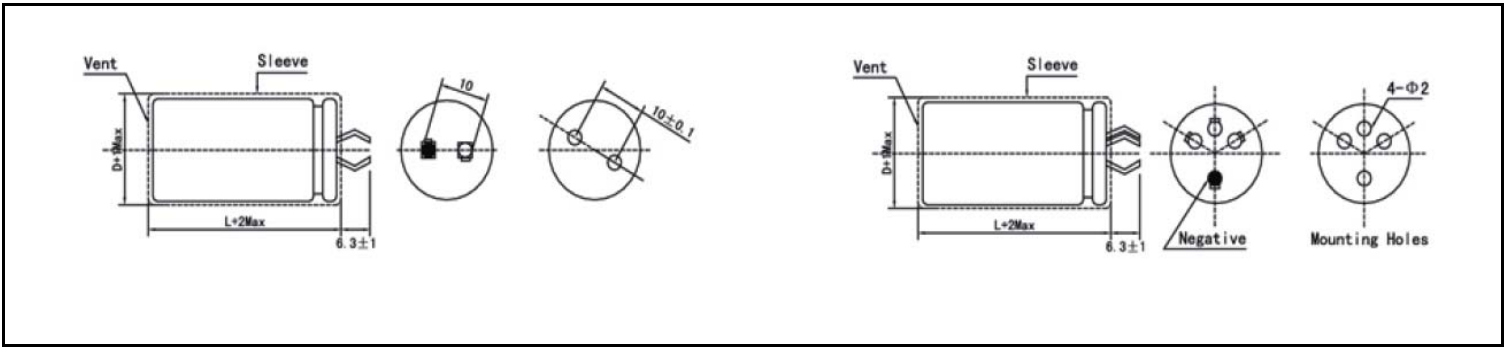
项目 Items	特征 Performance Characteristics								
使用温度范围 Operating Temperature Range(°C)	-40 ~ +85°C					-25 ~ +85°C			
额定电压范围 Rated Voltage Range(V)	10 ~ 400 VDC					450 VDC			
标称容量范围 Capacitance Range(uF)	68~ 22000 uF								
标称容量偏差范围 Capacitance Tolerance(20°C,120Hz)	± 20%								
漏电流 Leakage Current (uA)	After 5 minutes at 20°C application of rated voltage, leakage current is not more than 0.01CV or 1.5mA, whichever is smaller. C: Normal Capacitance(uF) V: Rated Voltage(V) 在20°C下加额定电压5分钟后，漏电流不大于0.01CV或者1.5mA,取最小值。								
损耗角正切值 Dissipation Factor(20°C, 120Hz) (tanδ)	Rated Voltage	10	16	25	35	50	63~100	160~400	315~500
	(tanδ)(max)	0.80	0.60	0.50	0.40	0.30	0.20	0.15	0.15
低温稳定性 (120Hz下阻抗比) Stability at Low Temperature (Impedance Ratio at 120Hz)	电压Rated Voltage(V)		10	16~35	50~100	160~200	250~400	450	
	阻抗比 Impedance Ratio	Z-25°C/Z+20°C	5	4	3	3	4	4	
		Z-40°C/Z+20°C	18	15	10	6	8	-	
耐久性 Load Life	电压：85°C额定电压（叠加规定纹波电流）5000小时试验后常温放置16h 测定 After applying rated voltage with specified ripple current for 5000 hours at 85°C and then resumed 16 hours: 电容量变化：初始值的-20~+20%以内 Capacitance change: within ±15% of the initial value 漏电流：不大于初始规定值 Dissipation Factor: Not more than initial specified value 损耗角正切：不超过规定值的2.0倍Dissipation Factor: Not more than 200% of the specified value								
高温储存 Shelf Life	+85°C, 1000小时贮存后，加额定电压30分钟，恢复16小时后 After storage for 1000 hours at +85°C, rated voltage to be applied for 30 minutes and then resumed for 16 hours 电容量变化：初始值的-20~+20%以内Capacitance change: within ±15% of the initial value 漏电流：不大于初始规定值 Dissipation Factor: Not more than initial specified value 损耗角正切：不超过规定值的2.0倍Dissipation Factor: Not more than 200% of the specified value								

纹波电流修正系数Multiplier for ripple current

频率系数Frequency coefficient						环境温度 Temperature °C					
电压Rated Voltage(V)	50Hz	120Hz	1KHz	10KHz	100KHz	≤+40	+55	+70	+85	+105	
≤ 50	0.90	1.00	1.10	1.15	1.15	修正系数 Coefficient	2.7	2.5	2.1	1.7	1
63~100	0.90	1.00	1.16	1.30	1.33						
≥ 160	0.85	1.00	1.20	1.50	1.55						

外形图 Dimensions

ALUMINUM ELECTROLYTIC CAPACITOR



额定值标准 Rating for CD295 Series

额定值标准 Rating for CD295 Series- Table 1-1

CD295	U _R	10V(1A)		16V(1C)		25V(1E)		35V(1V)		50V(1H)		63V(1J)		80V(1K)					
Cap(μF)	U _s	13V		20V		32V		44V		63V		79V		100V					
	Code	DxL	(A)	DxL	(A)	DxL	(A)	DxL	(A)	DxL	(A)	DxL	(A)	DxL	(A)				
1000	102													22X25	1.3				
1200	122													22X30	1.5				
1500	152											22X25	1.6	25X25	1.7				
1800	182											22X30	1.8	22X35	1.9				
														25X30	1.9				
2200	222									22X25	1.7	22X30	2.0	22X40	2.1				
													25X25	2.0	25X35	2.2			
															30X25	2.2			
2700	272									22X30	1.9	22X35	2.2	22X50	2.5				
														25X25	1.9	25X30	2.2	25X40	2.5
																	30X30	2.5	
																	35X25	2.5	
3300	332							22X25	1.8	22X35	2.0	22X40	2.3	25X45	2.8				
												25X35	2.3	30X35	2.8				
												35X25	2.3						
3900	392							22X30	2.1	22X35	2.1	22X45	2.5	25X50	3.1				
												25X30	2.1	25X40	2.6	30X40	3.2		
												30X25	2.4	30X30	2.6	35X30	3.2		
													35X25	2.7					
4700	472							25X25	2.2	22X40	2.4			30X45	3.6				
											25X35	2.4			35X35	3.6			
5600	562					22X25	2.0	22X35	2.3	22X50	2.5	25X45	3.1	30X50	3.5				
								25X30	2.3	25X40	2.5	30X35	3.2	35X40	3.5				
											30X30	2.5	35X30	3.3					
												35X25	2.6						
6800	682					22X30	2.3	22X40	2.9	25X45	2.8	30X40	3.6	35X50	4.1				
						25X25	2.3	25X35	2.6	30X35	2.8	35X35	3.7						
								30X25	2.7										
8200	822			22X25	2.2	22X35	2.6	22X50	2.8	25X50	3.2	30X50	3.7						
								25X40	2.8	30X40	3.0	35X40	3.8						
								30X30	2.8	35X30	3.0								
								35X25	2.9										
10000	103	22X25	2.5	22X30	2.6	22X40	2.9	25X45	3.1	30X45	3.4	35X45	4.3						
				25X25	2.6	25X30	2.8	30X35	3.2	35X35	3.4								
						30X25	3.0												
12000	123	22X25	2.9	22X35	2.9	22X45	3.3	25X50	3.5	30X50	3.8	35X50	4.8						
						25X35	3.2	30X40	3.5	35X40	3.8								
						30X30	3.4	35X30	3.6										
15000	153	22X30	3.2	22X40	2.3	25X40	3.7	30X45	4.1	35X50	4.5								
		25X25	3.1	25X30	3.3	35X25	3.9	35X35	4.1										
				30X25	3.4														

CD295	U _R	10V(1A)		16V(1C)		25V(1E)		35V(1V)		50V(1H)		63V(1J)		80V(1K)	
Cap(μF)	U _s	13V		20V		32V		44V		63V		79V		100V	
	Code	DxL	(A)	DxL	(A)	DxL	(A)	DxL	(A)	DxL	(A)	DxL	(A)	DxL	(A)
18000	183	22X35	3.6	22X45	3.8	25X50	4.3	30X50	4.6						
		25X30	3.6	25X35	3.7	30X35	4.2	35X40	4.7						
						35X30	4.4								
22000	223	22X40	4.0	22X50	4.2	30X40	4.8	35X45	5.3						
		25X35	4.1	25X40	4.2	35X35	5.0								
		30X25	4.1	30X30	4.2										
				35X25	4.4										

额定值标准 Rating for CD295 Series- Table 2-1

CD295	U _R	100V(2A)		160V(2C)		200V(2D)		250V(2E)		350V(2V)		400V(2G)		450V(2W)	
Cap(μF)	U _s	125V		200V		250V		300V		400V		450V		500V	
	Code	DxL	(A)	DxL	(A)	DxL	(A)	DxL	(A)	DxL	(A)	DxL	(A)	DxL	(A)
68												22X25	0.55	22X30	0.57
82										22X25	0.64	22X25	0.60	25X35	0.64
100										22X25	0.72	22X30	0.70	22X35	0.72
												25X25	0.70	25X30	0.73
120										22X30	0.82	22X35	0.79	22X40	0.80
										25X25	0.81			25X35	0.83
150										22X35	0.94	22X40	0.90	25X40	0.95
										25X30	0.94	25X30	0.89	30X30	0.95
												30X25	0.95	35X25	0.98
180	181							22X25	0.94	22X40	1.1	22X45	1.0	25X45	1.1
										30X24	1.1	25X35	1.0	30X35	1.1
												30X30	1.1	35X25	1.2
												35X25	1.2		
220	221			22X25	1.0	22X25	1.1	22X30	1.1	22X45	1.2	22X50	1.1	25X50	1.2
								25X25	1.1	25X35	1.2	25X40	1.2	30X40	1.3
										30X30	1.2	30X35	1.2	35X30	1.3
										35X25	1.3				
270	271			22X25	1.1	22X30	1.2	22X35	1.2	25X45	1.4	25X45	1.3	30X45	1.4
										30X35	1.4	25X50	1.4	35X35	1.5
												30X40	1.5		
330	331			22X25	1.3	22X30	1.4	22X40	1.4	25X50	1.6	35X30	1.6	30X50	1.7
						25X25	1.4	25X30	1.4	35X30	1.6	30X45	1.7		
								30X25	1.5						
390	391			22X30	1.5	22X35	1.6	22X45	1.6	30X40	1.7	35X35	1.8	35X45	1.9
				25X25	1.5	25X30	1.6	25X35	1.6	35X35	1.8	30X50	1.8		
470	471			25X30	1.6	22X40	1.8	22X50	1.8	30X45	2.0	35X45	2.1	35X50	2.2
						30X25	1.9	25X40	1.8	35X40	2.0				
								30X30	1.8						
								35X25	2.4						
560	561			22X35	1.9	22X45	2.0	25X45	2.0	35X45	2.3	35X50	2.3		
				25X30	1.9	25X35	2.0	30X35	2.0						
				30X25	2.0	30X30	2.1								
						35X25	2.0								
680	681	22X25	1.1	22X40	2.1	25X40	2.3	30X40	2.3	35X50	2.6				
				25X35	2.2	30X35	2.4	35X30	2.6						
820	821	22X30	1.2	22X50	2.5	25X50	2.6	30X45	2.6						
				25X40	2.4	30X40	2.7								
				30X30	2.5	35X30	2.5								
				35X26	2.4										
1000	102	25X25	1.4	25X45	2.7	30X45	3.1	35X40	3.0						
				30X35	2.8	35X35	2.8	35X45	3.4						
				35X30	2.7										

ALUMINUM ELECTROLYTIC CAPACITOR

CD295	U _R	100V(2A)		160V(2C)		200V(2D)		250V(2E)		350V(2V)		400V(2G)		450V(2W)	
Cap(μF)	U _s	125V		200V		250V		300V		400V		450V		500V	
	Code	DxL	(A)	DxL	(A)	DxL	(A)	DxL	(A)	DxL	(A)	DxL	(A)	DxL	(A)
1200	122	22X35	1.6	25X50	3.1	30X50	3.4								
		25X30	1.6	30X40	3.2	35X40	3.2								
				35X35	3.0										
1500	152	22X40	1.8	30X45	3.7	34X50	3.8								
		25X35	1.7	35X40	3.5										
		30X25	1.8												
1800	182	22X50	2.1	35X45	3.9										
		25X40	2.0												
		30X30	2.1												
		35X25	2.2												
2200	222	25X45	2.2	35X50	4.5										
		30X35	2.3												
		35X30	2.5												
2700	272	25X50	2.6												
		30X40	2.7												
3300	332	30X45	3.0												
		35X35	3.1												
3900	392	30X50	3.4												
		35X40	3.4												
4700	472	35X40	4.0												

Note: All design and specifications are for reference only and is subject to change without prior notice. If any doubt about safety for your application, please contact us immediately for technical assistance before purchase.