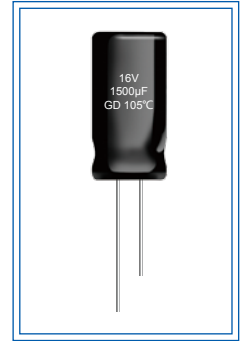


# GD 高纹波, 极低阻抗品 (CD285)

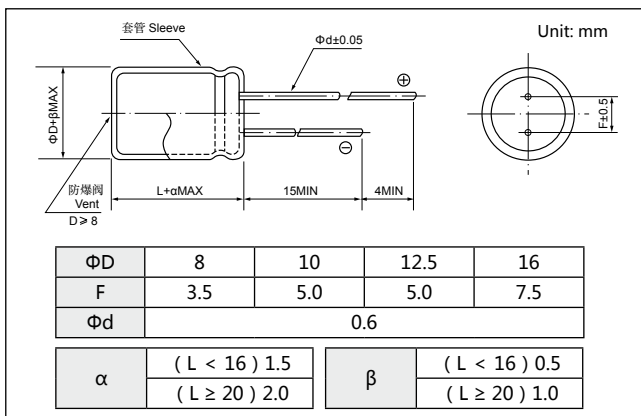
- 100KHz 下, 极低阻抗。105°C 2000-5000 小时。  
Ultra low impedance at 100KHz, 105°C 2000-5000 hrs.
- 等效串联电阻不能承受高纹波电流。  
Enable high ripple current by a reduction of ESR at high frequency range.
- 用于电脑主机板。Suitable for P4 mother board.



## 主要技术性能 Specifications

项目 Item	特性 Performance Characteristics											
工作温度范围 Operating Temperature Range	-55~+105°C											
额定电压范围 Rated Voltage Range	6.3~16V											
标称电容容量范围 Nominal Capacitance Range	330~8200µF											
标称电容容量允许偏差 Capacitance Tolerance	±20%											
漏电流 Leakage Current (+20°C, max)	$I \leq 0.03CV$ (µA) whichever is greater (at 25°C, after 2 minutes)											
损耗角正切值 (tgδ) Dissipation Factor (+20°C, 120Hz)	$U_R(V)$	6.3	10	16								
	tgδ	0.22	0.19	0.16								
容量大于 1000µF 者, 每增加 1000µF, 其损耗角正切值增加 0.02。 When nominal capacitance exceeds 1000µF, add 0.02 to the value above for each 1000µF increase.												
温度特性 Temperature Characteristics (Impedance ratio at 120Hz)	$U_R(V)$	6.3	10	16								
	Z-55°C / +20°C	3	3	3								
耐久性 Load Life	+105°C施加带额定纹波电流的额定电压规定的时间, 恢复 24 小时后: After applying rated voltage with specified ripple current for specified time at +105°C and then resumed 24 hours: 电容量变化率 Capacitance change : ±30% 初始测量值以内 ±30% of the initial measured value 漏 电 流 Leakage current : ≤初始规定值 ≤ the initial specified value 损耗角正切值 Dissipation factor : ≤ 2 倍初始规定值 ≤ 200% of the initial specified value			<table border="1"> <thead> <tr> <th>ΦD</th> <th>Life Time (hrs)</th> </tr> </thead> <tbody> <tr> <td>Φ5-6</td> <td>2000</td> </tr> <tr> <td>Φ8-10</td> <td>3000</td> </tr> <tr> <td>≥ Φ12.5</td> <td>5000</td> </tr> </tbody> </table>	ΦD	Life Time (hrs)	Φ5-6	2000	Φ8-10	3000	≥ Φ12.5	5000
	ΦD	Life Time (hrs)										
Φ5-6	2000											
Φ8-10	3000											
≥ Φ12.5	5000											
高温贮存 Shelf Life	+105°C, 1000 小时贮存后, 恢复 24 小时后: After storage for 1000 hours at +105°C and then resumed 24 hours 电容量变化率 Capacitance change : ±30% 初始测量值以内 ±30% of the initial measured value 漏 电 流 Leakage current : ≤ 2 倍初始规定值 ≤ 200% of the initial specified value 损耗角正切值 Dissipation factor : ≤ 2 倍初始规定值 ≤ 200% of the initial specified value											

## 外形图及尺寸 Diagram of Dimensions



## 纹波电流修正系数 Multiplier for Ripple Current

频率系数 Frequency coefficient				
Frequency(Hz)	120	1K	10k	100k
Cap(µF)				
470~3300	0.50	0.80	0.90	1.00

温度系数 Temperature coefficient			
Temperature (°C)	+65	+85	+105
Coefficient	2.10	1.70	1.00

## 额定值标准 *Standard Size*

WV (V) Cap.(μF)	6.3(0J)			10(1A)			16(1C)		
	Case size ΦD×L (mm)	Impedance (Ω)MAX 20°C /100KHz	Rated ripple (mArms) 105°C /100KHz	Case size ΦD×L (mm)	Impedance (Ω)MAX 20°C /100KHz	Rated ripple (mArms) 105°C /100KHz	Case size ΦD×L (mm)	Impedance (Ω)MAX 20°C /100KHz	Rated ripple (mArms) 105°C /100KHz
330	-	-	-	-	-	-	8×11.5	21	1300
470	-	-	-	8×11.5	21	1300	8×11.5	21	1300
							10×12.5	18	1760
560	8×11.5	21	1300	-	-	-	-	-	-
680	-	-	-	8×11.5	21	1300	10×12.5	18	1760
							8×20	12	2220
							10×12.5	18	1760
820	8×11.5	21	1300	10×12.5	18	1760	10×16	11	2280
				10×16	11	2280	8×20	12	2220
1000	8×15	20	1700	10×12.5	18	1760	10×16	11	2280
				10×16	11	2280	8×20	12	2220
1200	8×15	20	1700	10×16	11	2280	10×20	10	2900
				10×12.5	18	1760	10×16	11	2280
1500	8×20	12	2220	10×16	11	2280	10×20	10	2900
				10×16	11	2280			
				8×20	12	2220			
1800	10×16	11	2280	10×20	10	2900	10×25	9	3190
	8×20	12	2220				12.5×20	9	3190
2200	10×16	11	2280	10×25	9	3190	12.5×20	9	3190
	10×20	10	2900	12.5×20	9	3190	12.5×25	8	3370
2700	10×20	10	2900	12.5×20	9	3190	12.5×25	8	3370
3300	10×25	9	3190	12.5×25	8	3370	16×25	7	3610
	12.5×20	9	3190						
4700	12.5×20	9	3190	12.5×25	8	3370	-	-	-
5600	12.5×20	8	3370	16×25	7	3610	-	-	-
8200	16×25	7	3610	-	-	-	-	-	-

可根据客户要求定制产品 Customer products are available on request.