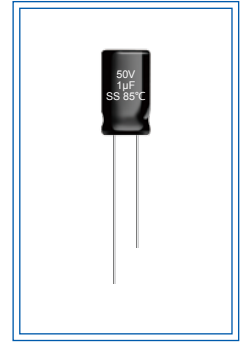


SS (CD11CX)

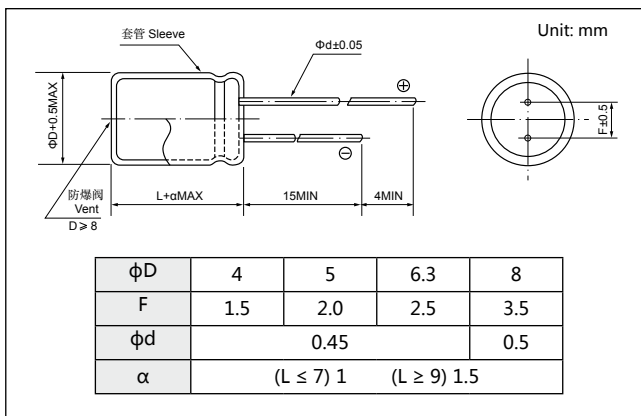
- 7 (9) mm 高度 , 85°C 2000 小时。 Be 7 (9) mm in height and mini-size, 85°C 2000 hrs.
- 适用于汽车音响、TV、空调遥控器等电子线路中。
Designed for use in car audio,TV,air conditioners circuits remote device etc.
- 符合 RoHS。 RoHS Compliant.



主要技术性能 Specifications

项目 Item	特性 Performance Characteristics																					
工作温度范围 Operating Temperature Range	-40~+85°C																					
额定电压范围 Rated Voltage Range	6.3~50V																					
标称电容量范围 Nominal Capacitance Range	0.1~470μF																					
标称电容量允许偏差 Capacitance Tolerance	±20%(+20°C , 120Hz)																					
漏电流 Leakage Current	$I \leq 0.01CV$ or $3 (\mu A)$ 2 分钟 (at 20°C ,after 2 mintues) 取较大者 (whichever is greater)																					
损耗角正切值 (tgδ) Dissipation Factor (+20°C ,120Hz)	<table border="1"> <tr> <td>$U_R(V)$</td> <td>6.3</td> <td>10</td> <td>16</td> <td>25</td> <td>35</td> <td>50</td> </tr> <tr> <td>tgδ</td> <td>0.24</td> <td>0.20</td> <td>0.16</td> <td>0.14</td> <td>0.12</td> <td>0.10</td> </tr> </table>	$U_R(V)$	6.3	10	16	25	35	50	tgδ	0.24	0.20	0.16	0.14	0.12	0.10							
$U_R(V)$	6.3	10	16	25	35	50																
tgδ	0.24	0.20	0.16	0.14	0.12	0.10																
温度特性 Temperature Characteristics (Impedance ratio at 120Hz)	<table border="1"> <tr> <td>$U_R(V)$</td> <td>6.3</td> <td>10</td> <td>16</td> <td>25</td> <td>35</td> <td>50</td> </tr> <tr> <td>Z-25°C /+20°C</td> <td>4</td> <td>3</td> <td>2</td> <td>2</td> <td>2</td> <td>2</td> </tr> <tr> <td>Z-40°C /+20°C</td> <td>8</td> <td>6</td> <td>4</td> <td>4</td> <td>3</td> <td>3</td> </tr> </table>	$U_R(V)$	6.3	10	16	25	35	50	Z-25°C /+20°C	4	3	2	2	2	2	Z-40°C /+20°C	8	6	4	4	3	3
$U_R(V)$	6.3	10	16	25	35	50																
Z-25°C /+20°C	4	3	2	2	2	2																
Z-40°C /+20°C	8	6	4	4	3	3																
耐久性 Load Life	+85°C加额定电压 2000 小时 , 恢复 16 小时后 : After applying rated voltage for 2000 hours at +85°C and then resumed 16 hours : 电容量变化率 Capacitance change : ±25% 初始测量值以内 ±25% of the initial measured value 漏 电 流 Leakage current : ≤初始规定值 ≤ The initial specified value 损耗角正切值 Dissipation factor : ≤ 2 倍初始规定值 ≤ 200% of the initial specified value																					
高温贮存 Shelf Life	+85°C , 1000 小时贮存后 , 恢复 16 小时后 : After storage for 1000 hours at +85°C and then resumed 16 hours : 电容量变化率 Capacitance change : ±25% 初始测量值以内 ±25% of the initial measured value 漏 电 流 Leakage current : ≤ 2 倍初始规定值 ≤ 200% of the initial specified value 损耗角正切值 Dissipation factor : ≤ 2 倍初始规定值 ≤ 200% of the initial specified value																					

外形图及尺寸 Diagram of Dimensions



纹波电流修正系数 Multiplier for Ripple Current

频率系数 Frequency coefficient

Frequency(Hz)	60	120	1k	≥ 10k
Cap(μF)				
0.1~68	0.8	1.0	1.3	1.5
100-470	0.8	1.0	1.15	1.2

额定值标准 Standard Size

Cap.(μF)	V(Code) Code	6.3V (0J)		10V (1A)		16V (1C)		25V (1E)		35V (1V)		50V (1H)	
0.1	0R1											4×7	1.0
0.22	R22											4×7	2.3
0.33	R33											4×7	3.5
0.47	R47											4×7	5.0
1	010											4×7	10
2.2	2R2											4×7	19
3.3	3R3											4×7	24
4.7	4R7									4×7	24	4×7	28
10	100					4×7	28	4×7	28	4×7	31	5×7	38
22	220	4×7	34	4×7	35	4×7	39	5×7	48	5×7	52	6.3×7	58
33	330	4×7	40	4×7	43	4(5)×7	45(59)	5×7	58	6.3×7	80	8×7(9)	75(85)
47	470	4×7	48	4(5)×7	45(49)	5×7	65	6.3×7	71	8×7(9)	85(96)	8×9	101
100	101	5×7	78	5(6.3)×7	74(87)	6.3×7	98	8×7(9)	115(130)	8×9	141		
				6.3(8)×7	138(145)	8×9	186			8×7	110		
220	221	6.3×7	120	8×7	201	8×7	140						
330	331	8×7(9)	180(204)										
470	471	8×7(9)	215(243)										

——— 额定纹波电流 Rated ripple current(mA,+85°C,120Hz)

可根据客户要求定制产品 Customer products are available on request.