

## 牛角型Snap In Type, CD29C Series

### 特性Features

- Load life of 2000 hours at 105°C  
在105°C环境中，负荷寿命2000小时
- High ripple Current  
高纹波电流
- General Industrial electronics  
工业品
- Downsized from CD294  
小型化



### 主要技术性能Specification

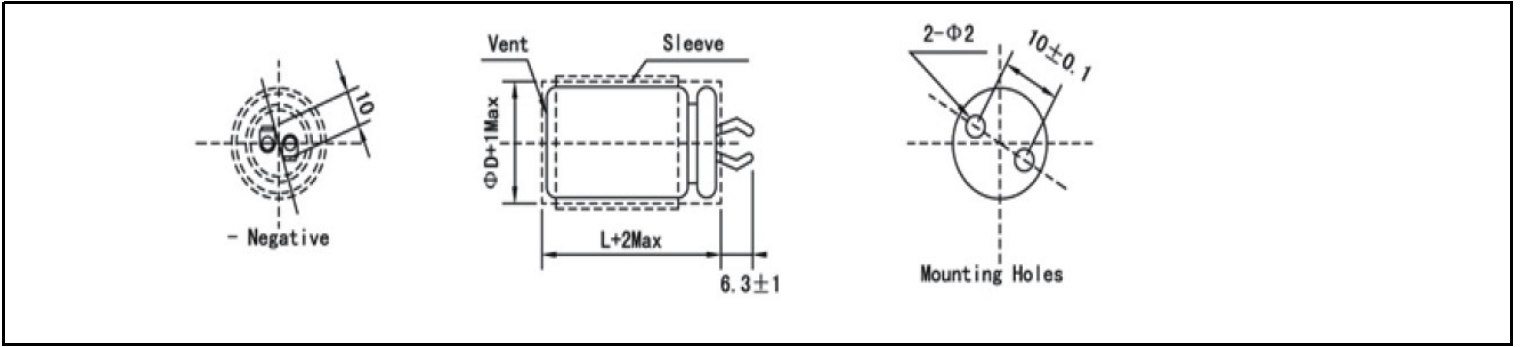
项目 Items	特征 Performance Characteristics				
使用温度范围 Operating Temperature Range(°C)	-40 ~ +105°C		-25 ~ +105°C		
额定电压范围 Rated Voltage Range(V)	200 ~ 250 VDC		400 ~ 450 VDC		
标称容量范围 Capacitance Range(uF)	100 ~ 2700 uF				
标称容量偏差范围 Capacitance Tolerance(20°C,120Hz)	± 20%				
漏电流 Leakage Current (uA)	After 5 minutes at 20°C application of rated voltage, leakage current is not more than 0.01CV or 1.5mA, whichever is smaller. C: Normal Capacitance(uF) V: Rated Voltage(V) 在20°C下加额定电压5分钟后，漏电流不大于0.01CV或者1.5mA,取最小值。				
损耗角正切值 Dissipation Factor(20°C, 120Hz) (tanδ)	Rated Voltage	200	250	400	450
	tanδ (max)	0.15			0.20
低温稳定性 (120Hz下阻抗比) Stability at Low Temperature (Impedance Ratio at 120Hz)	电压Rated Voltage(V)	200	250	400	450
	阻抗比 Impedance Ratio	Z-25°C/Z+20°C	4		8
		Z-40°C/Z+20°C	12		-
耐久性 Load Life	+105°C额定电压（叠加规定纹波电流）2000小时试验后常温放置16h 测定 After applying rated voltage with specified ripple current for 2000 hours at 85°C and then resumed 16 hours: 电容量变化：初始值的-20~+20%以内 Capacitance change: within ±20% of the initial value 漏电流：不大于初始规定值 Dissipation Factor: Not more than initial specified value 损耗角正切：不超过规定值的2.0倍Dissipation Factor: Not more than 200% of the specified value				
高温储存 Shelf Life	+105°C, 1000小时贮存后，加额定电压30分钟，恢复16小时后 After storage for 1000 hours at +85°C, rated voltage to be applied for 30 minutes and then resumed for 16 hours 电容量变化：初始值的-20~+20%以内Capacitance change: within ±20% of the initial value 漏电流：不大于初始规定值 Dissipation Factor: Not more than initial specified value 损耗角正切：不超过规定值的2.0倍Dissipation Factor: Not more than 200% of the specified value				

### 纹波电流修正系数Multiplier for ripple current

频率系数Frequency coefficient						环境温度 Temperature °C					
电压Rated Voltage(V)	50Hz	120Hz	1KHz	10KHz	100KHz	≤+40	+55	+70	+85	+105	
200 ~ 250	0.80	1.00	1.17	1.45	1.50	修正系数 Coefficient	2.7	2.5	2.1	1.7	1
400 ~ 350	0.80	1.00	1.16	1.41	1.43						

# 外形图 Dimensions

# ALUMINUM ELECTROLYTIC CAPACITOR



## 额定值标准 Rating for CD29C Series

额定值标准 Rating for CD29C Series- Table 1

## ALUMINUM ELECTROLYTIC CAPACITOR

CD29C	U <sub>R</sub>	200V(2D)		250V(2E)		400V(2G)		450V(2W)		CD29C	U <sub>R</sub>	200V(2D)		250V(2E)			
Cap(uF)	U <sub>s</sub>	250V		300V		450V		500V		Cap (uF)	U <sub>s</sub>	250V		300V			
Code		DxL	(A)	DxL	(A)	DxL	(A)	DxL	(A)	Code		DxL	(A)	DxL	(A)		
100	101							22X25	0.67	1000	102	22X50	2.04	25X50	2.40		
120	121					22X25	0.65	22X30	0.71			25X40	2.04	30X40	2.40		
								25X25	0.72			30X35	2.04	35X30	2.40		
150	151					22X30	0.73	22X30	0.75			35X25	2.04	-	-		
						22X30	0.73	22X45	0.77								
180	181					25X25	0.73	22X40	0.79	25X45	2.30	30X40	2.55				
								25X30	0.79	30X35	2.30						
220	221			22X25	0.95	22X35	0.82	22X45	0.85	1500	152	30X40	2.57	30X50	2.73		
						25X30	0.87	25X35	0.87			35X30	2.57	35X40	2.73		
										30X30	0.89						
270	271			22X25	1.12	22X40	0.93	22X50	1.00	1800	182	30X50	2.68	35X45	2.82		
								25X35	1.05	25X40	1.10	2200	222	35X45	2.92	35X50	2.95
								30X25	1.02	30X30	1.01						
										35X25	1.00	-	-	-	-	-	-
330	331	22X25	1.01	22X30	1.21	22X50	1.16	25X50	1.28	-	-	-	-	-	-	-	
				25X25	1.21	25X40	1.14	30X35	1.31	-	-	-	-	-	-	-	
						30X30	1.14	35X30	1.25	-	-	-	-	-	-	-	
						35X25	1.13			-	-	-	-	-	-	-	
390	391	22X30	1.10	22X35	1.38	25X45	1.45	30X40	1.41	-	-	-	-	-	-	-	
				25X25	1.38	30X35	1.47	35X35	1.45	-	-	-	-	-	-	-	
						35X30	1.50			-	-	-	-	-	-	-	
470	471	22X30	1.20	22X40	1.56	25X50	1.54	35X40	1.61	-	-	-	-	-	-	-	
		25X25	1.20	25X30	1.56	30X40	1.61	30X45	1.52	-	-	-	-	-	-	-	
						35X30	1.50			-	-	-	-	-	-	-	
560	561	22X35	1.48	22X45	1.74	30X45	1.70	35X45	1.75	-	-	-	-	-	-	-	
		25X30	1.48	25X35	1.74	35X35	1.67			-	-	-	-	-	-	-	
680	681	22X40	1.62	22X50	1.92	30X50	1.82	35X50	1.93	-	-	-	-	-	-	-	
		25X30	1.6	25X40	1.92	35X40	1.87			-	-	-	-	-	-	-	
		30X25	1.60	30X30	1.92					-	-	-	-	-	-	-	
820	821	22X45	1.75	25X45	2.13	35X45	2.08			-	-	-	-	-	-	-	
		25X35	1.75	30X35	2.13	35X50	2.14			-	-	-	-	-	-	-	
		30X30	1.75							-	-	-	-	-	-	-	

DxL-尺寸SIZE(ΦDxLmm) A-额定纹波电流 Rated Ripple Current U<sub>R</sub>-额定工作电压 Rated Voltage U<sub>s</sub>-浪涌电压 Surge Voltage

Customer Products are available on request

可根据客户要求定制产品

Note: All design and specifications are for reference only and is subject to change without prior notice. If any doubt about safety for your application, please contact us immediately for technical assistance before purchase.